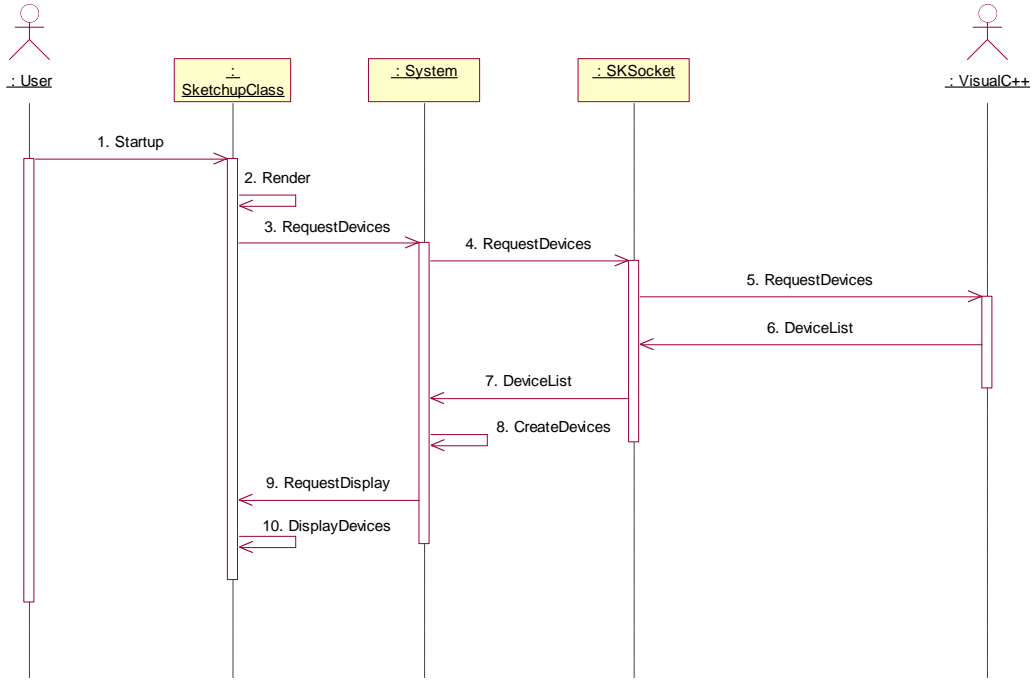
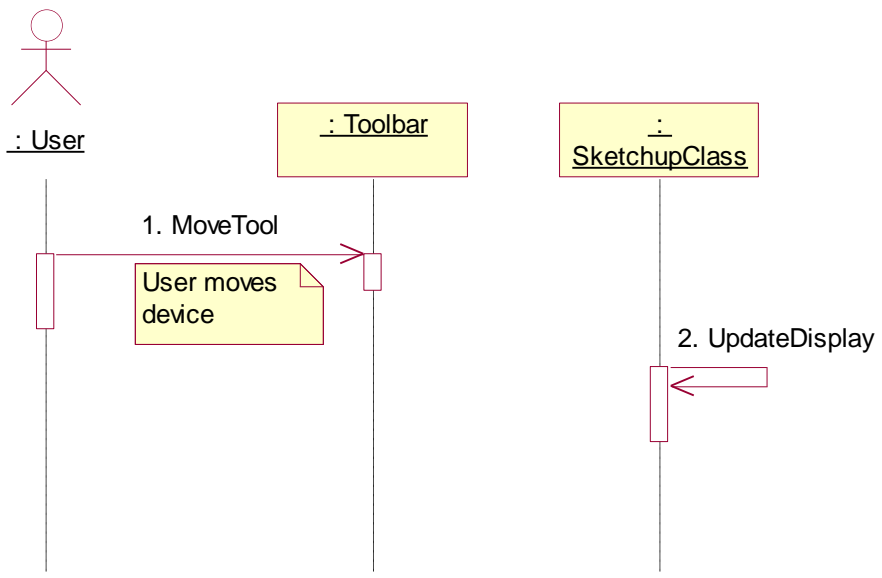


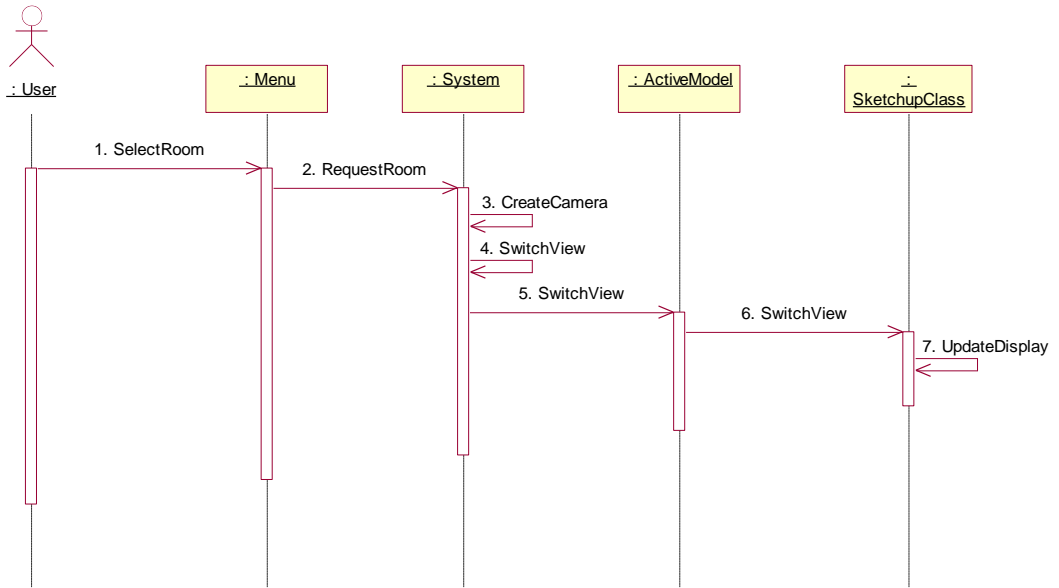
# 1.1 Display Venue



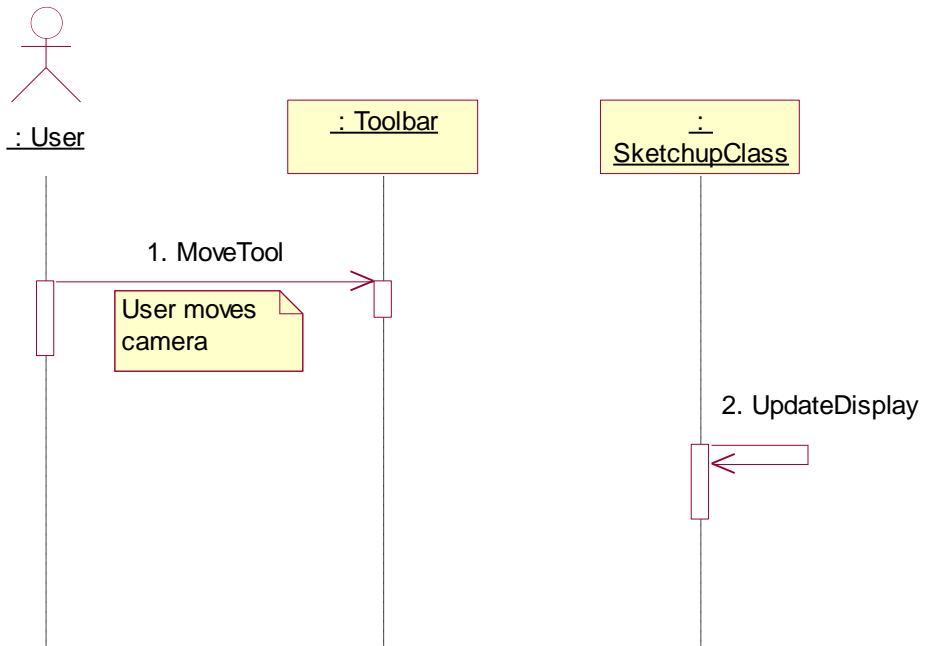
# 1.2 Move Device



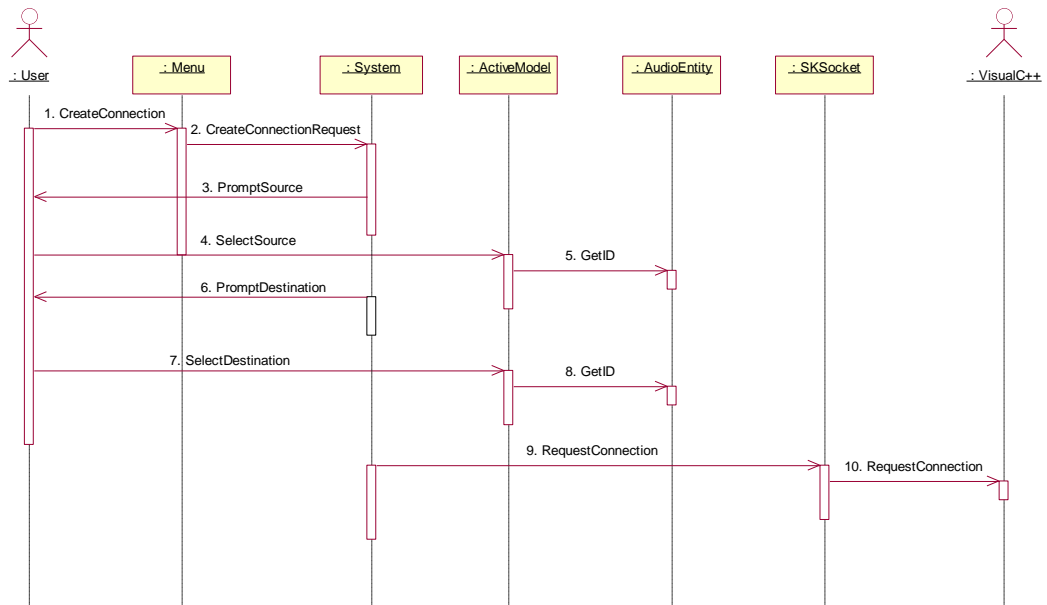
## 1.3.1 Move Camera



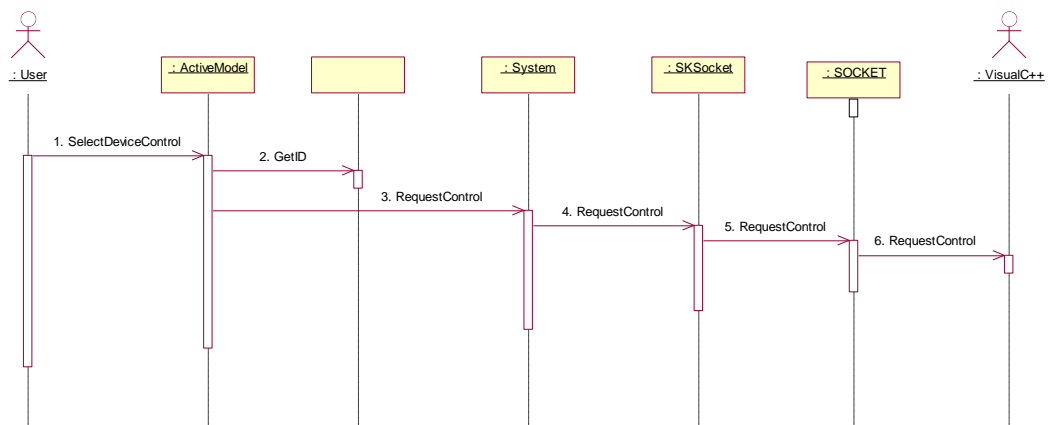
## 1.3.2 Move Camera



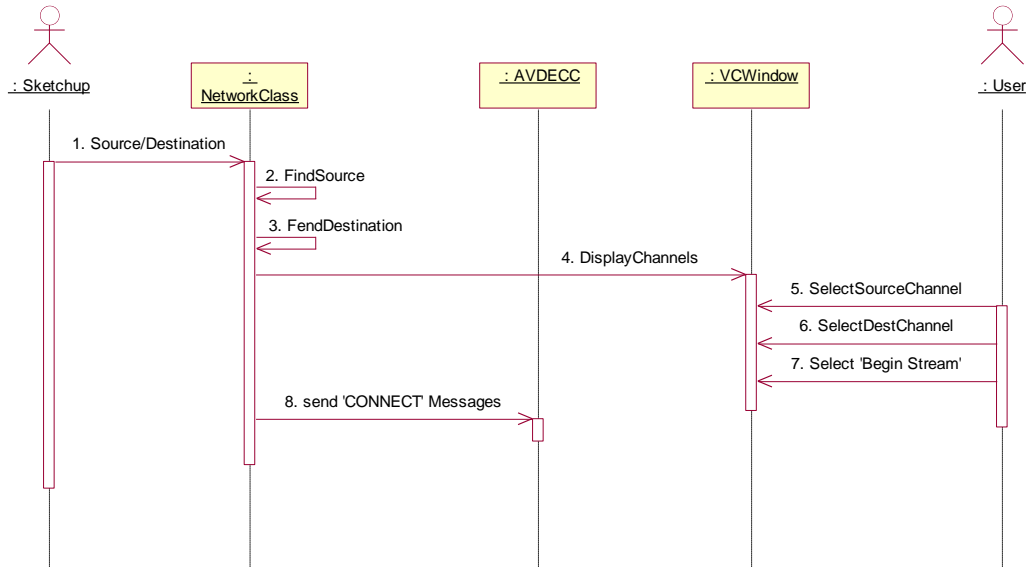
# 1.4 Make Stream



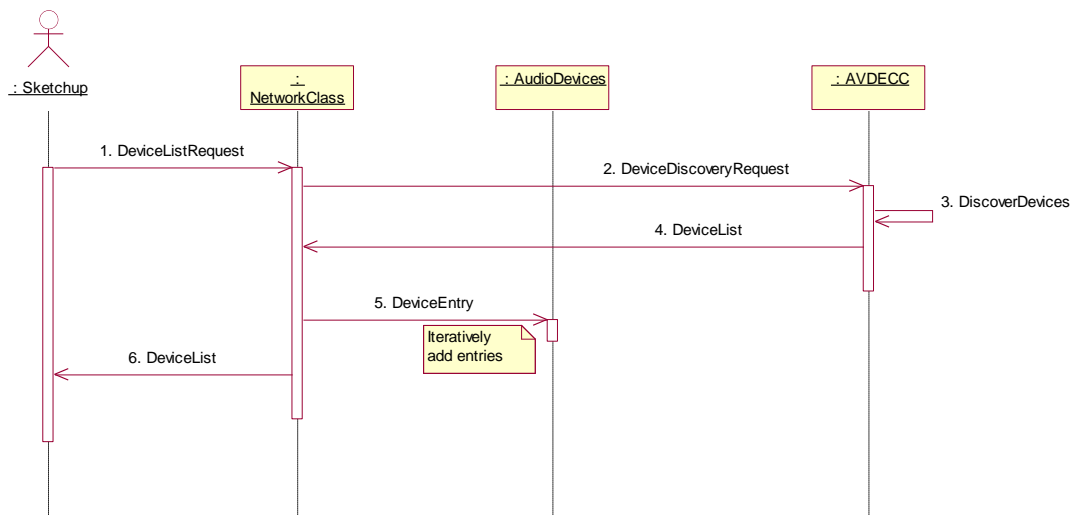
# 1.5 Control Device



## 2.1 Discover Devices



## 2.2 Create Stream



## 2.3 Control Device

